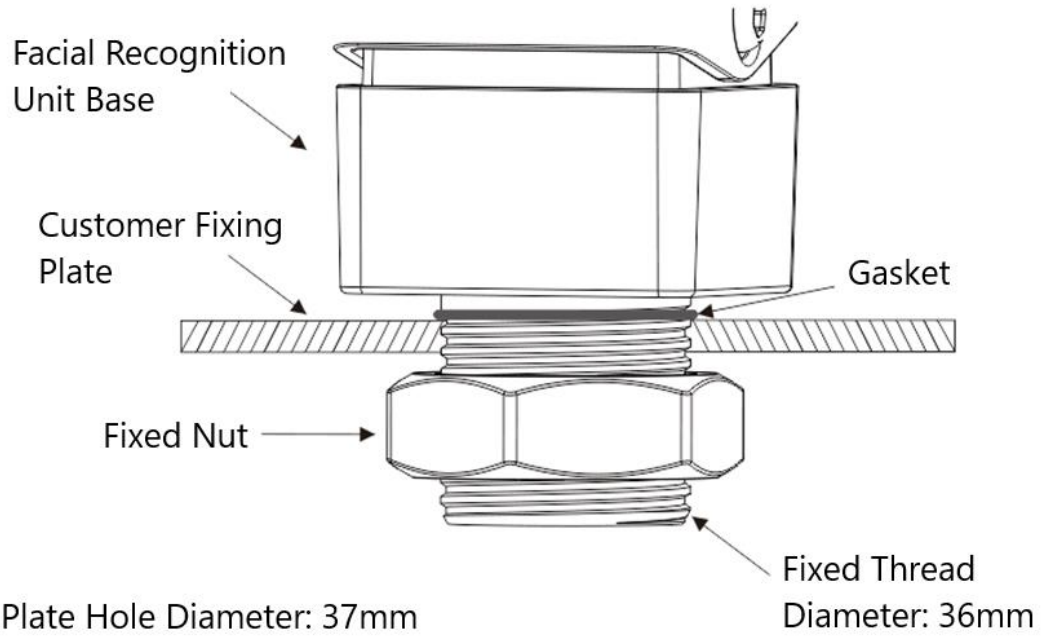
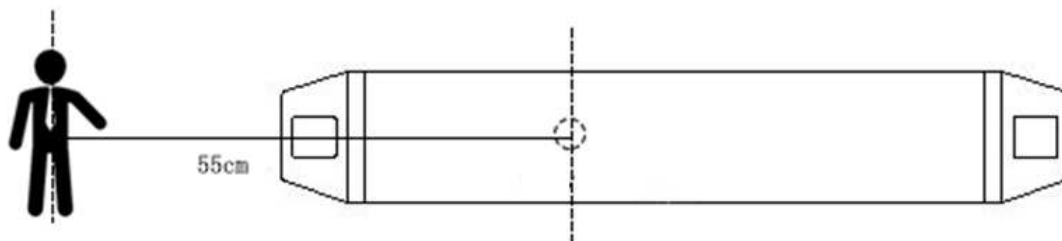


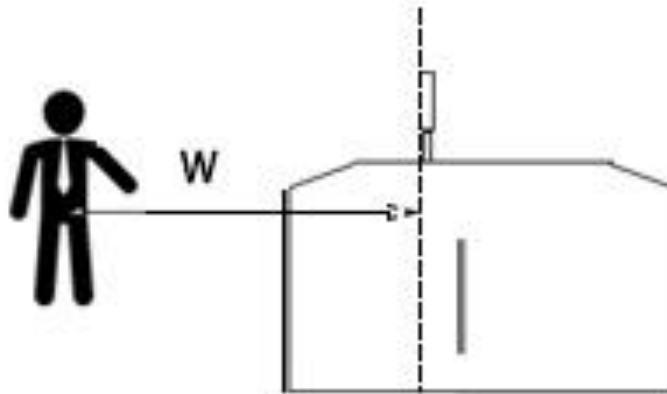
Accessory Description Diagram



Positioning the opening position

Steel plate opening diameter 37mm, the exact location depends on each individual situation. When the all-in-one Facial Recognition Machine is installed the elevation angle should be 5° for optimal usage.

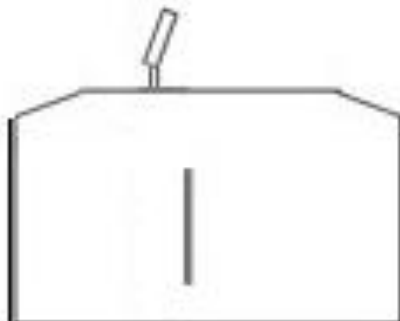




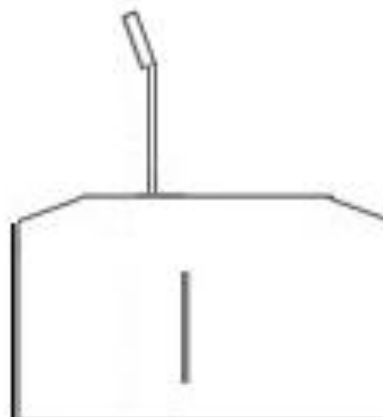
Person to Gate distance W	Recommended Height
55cm	150~185cm
60cm	145~190cm
65cm	140~195cm

Added factory column range

Person to Gate distance W	Recommended Height
65Cm	130~185cm
75Cm	130~190cm
85cm	130~195cm



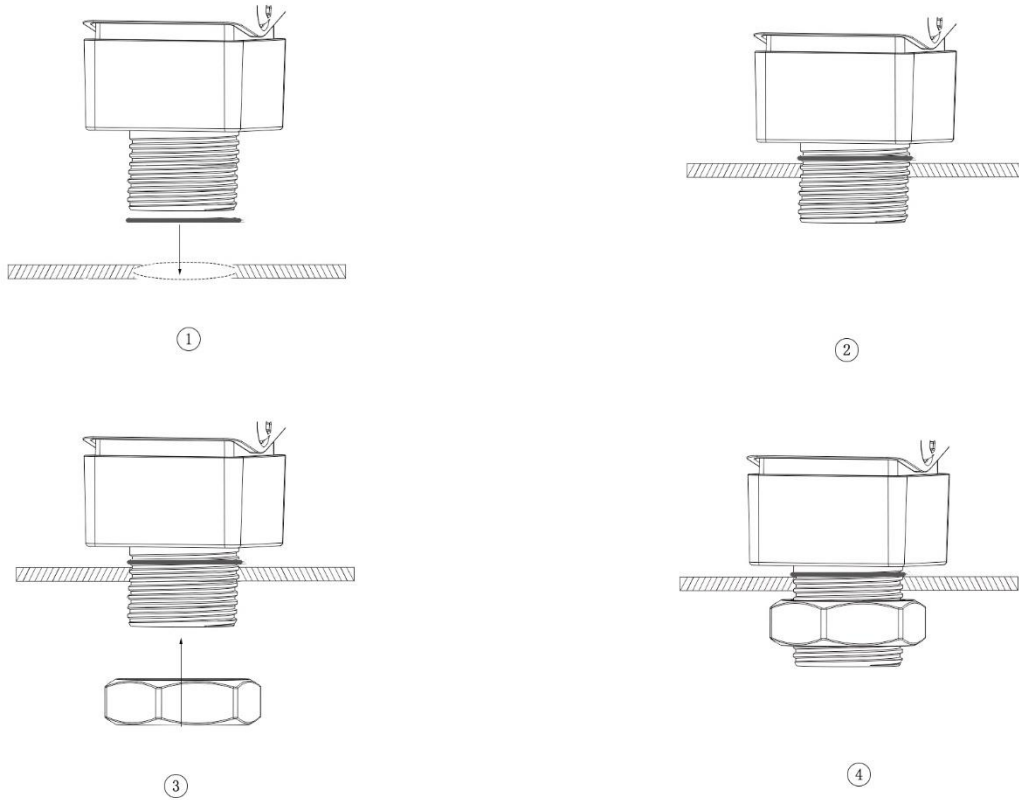
All-in-one machine without extension pole



All-in-one mounting with extension pole

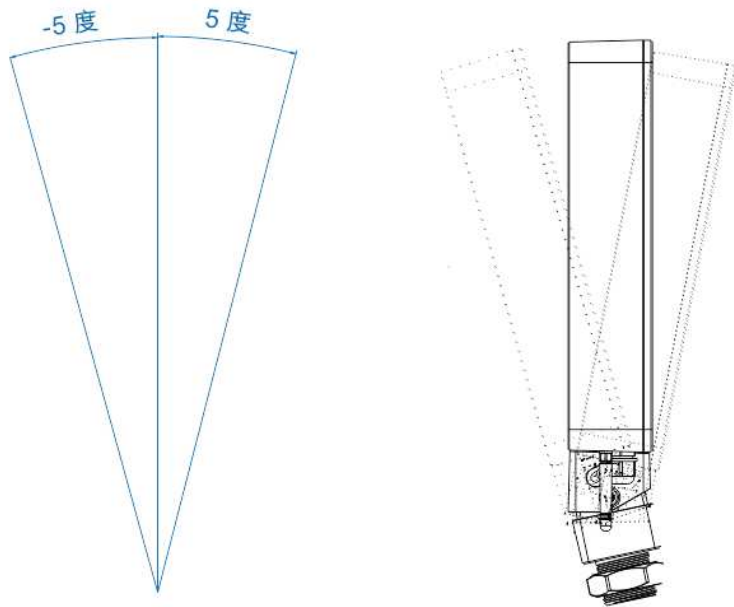
Fixed all-in-one machine

Plug the All-in-one unit into the opening of the steel plate and secure it with gaskets and nuts



Adjustment All-in-one angle

All-in-one unit can be used under most conditions of strong backlight, adjust the all-in-one angle according to the specific situation, $\pm 5^\circ$ is preferred.



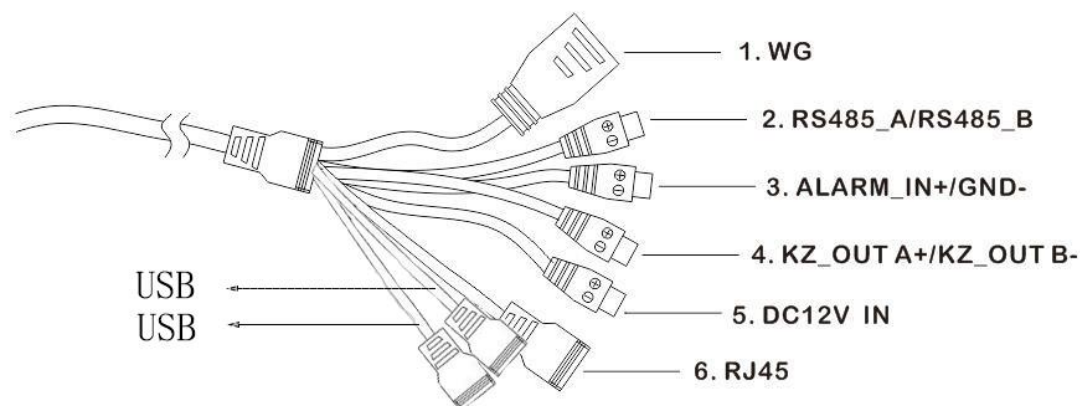
Wall Mounted Installation Instructions



1. To achieve optimum results the face recognition all-in-one installation height and wall mounting can be achieved with hardware shown above
2. On the back of all-in-one unit, the corresponding screw hole position install the matching screws;
3. Alignment Hole position of Wall bracket

All-in-one machine hang on the wall
 Pull the buckle slightly down;
 Connect wiring then secure bottom lid
 Screw fixing and tightening.

Interface description



Serial number	Name	Number	Note
1	Wiegand protocol Output Interface	1	① Vcc12V ② GND ③ D0 ④ D1
2	RS485	1	RS485 interface A/b
3	Alarm input	1	Alarm inputInterface +/gnd-
4	Relay output	1	Relay Output interface, a+/b-
5	Power	1	DC12V in
6	Ethernet Port	1	RJ45
7	USB	2	USB interface*2