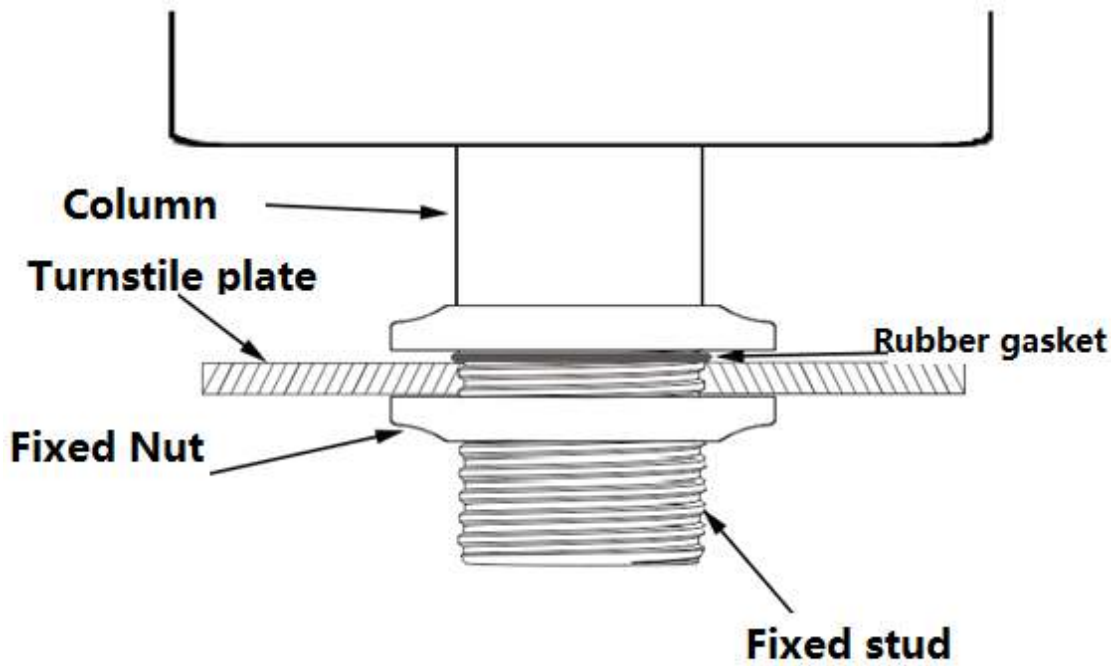


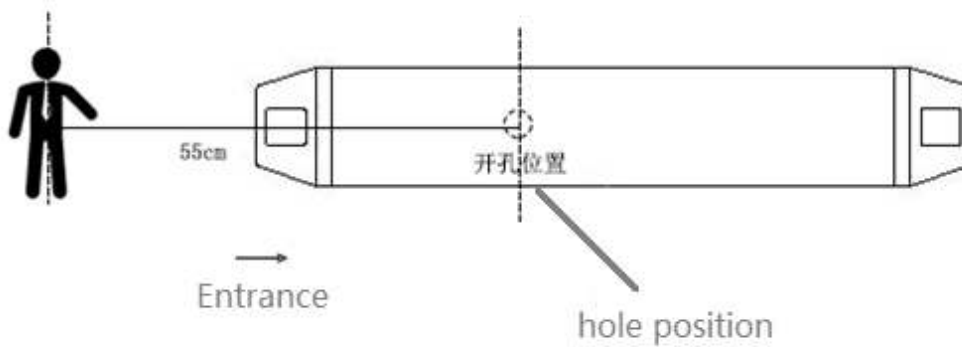
Face Recognition Terminal Installation Instructions

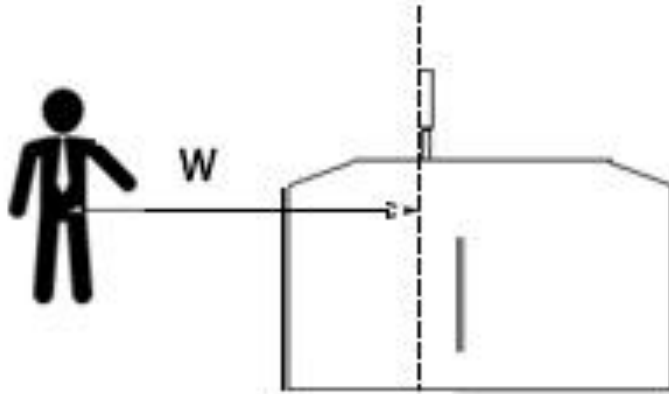
Accessories description



Steel plate hole diameter: 37mm Diameter: 36mm

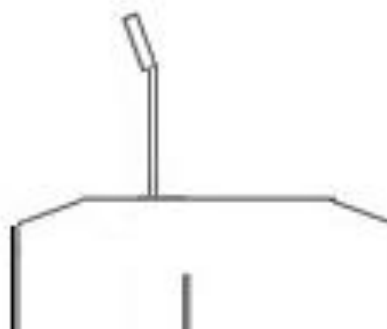
The hole diameter of the steel plate is 37mm, and the specific position depends on the situation. When the terminal is installed by the factory configuration, the elevation angle is about 5°



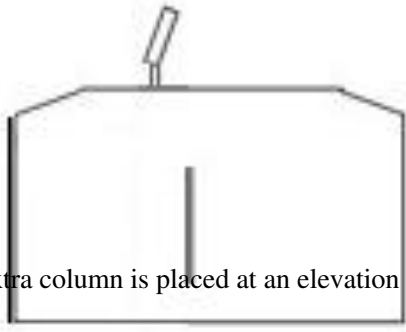


Distance between people & Turnstile W	Recognizable height range
55cm	150~185cm
60cm	145~190cm
65cm	140~195cm

Distance between people & Turnstile W	Recognizable height range
65cm	130~185cm
75cm	130~190cm
85cm	130~195cm



With extra column is placed at a depression angle



No extra column is placed at an elevation angle

How to fix the Terminal

Insert the terminal into the hole of the steel plate and fix it with gasket and nut.

Insert the terminal into the hole of the steel plate and fix



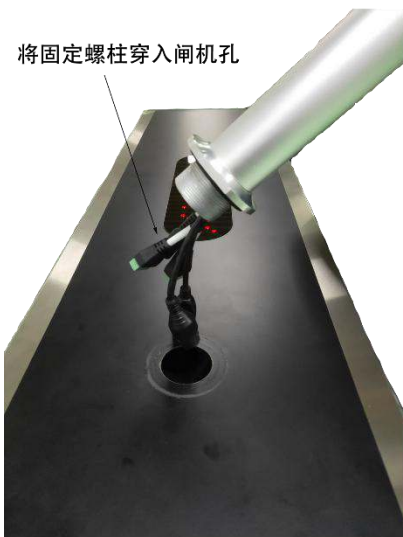
1

将转接头塞入后面板槽并用螺母固定



2

将固定螺柱穿入闸机孔

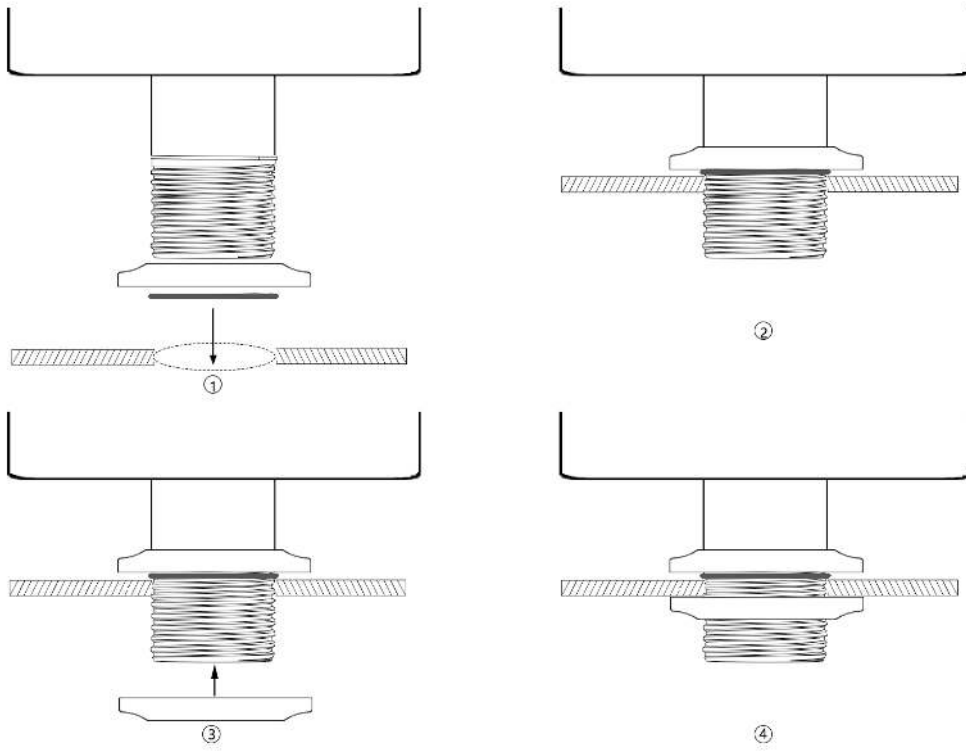


3

用固定螺帽将伸入闸机孔的螺柱固定

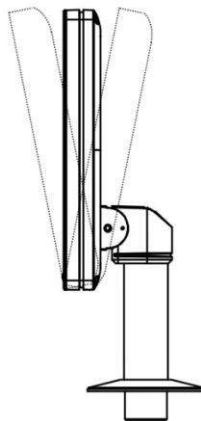
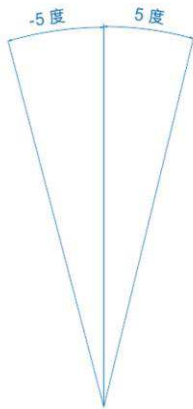


4



Adjust the angle of the Terminal

The Terminal unit can be used under strong backlight conditions, and the angle is adjusted according to the specific situation, preferably $\pm 5^\circ$



Wall r



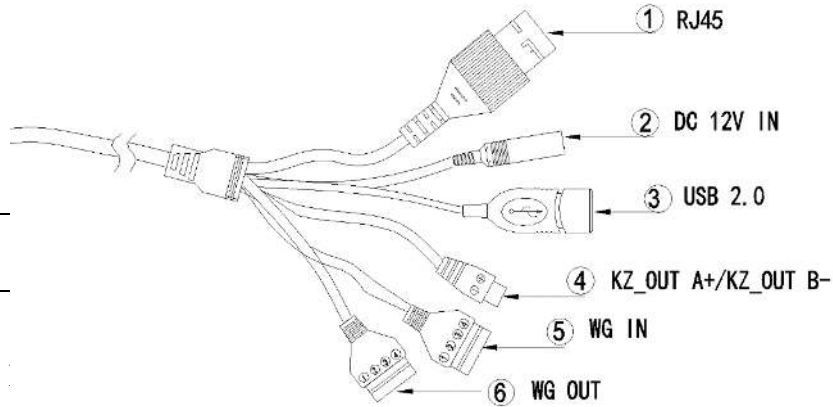
1. After de

all

2. Insert the corresponding area on the back of the face recognition unit into the bracket on the wall
3. Align the hole of the wall bracket to hang the unit and pull it down slightly to stabilize it
4. After connecting the wire, tighten the bottom cover with screws.

Description: The height of the installation should be selected to the appropriate height of the face

Interface:



No.			
1			
2	Power	1	DC12V IN
3	USB	1	USB 2.0
4	Switch Output	1	Switch output interface A+/B-
5	Wiegand protocol input interface	1	① vcc12V ② GND ③ D0 ④ D1
6	Wiegand protocol output interface	1	① vcc12V ② GND ③ D0 ④ D1